



Leica ScanStation P16 Quick Guide



Version 1.0
English

- when it has to be **right**



1 Important Information about your Instrument



Read and follow the User Manual on the accompanying USB card before using the product.



Keep for future reference!

Intended use

- Measuring horizontal and vertical angles.
 - Measuring distances.
 - Scanning objects.
 - Capturing and recording images.
 - Recording measurements.
 - Computing with software.
 - Remote control of product.
 - Data communication with external appliances.
-

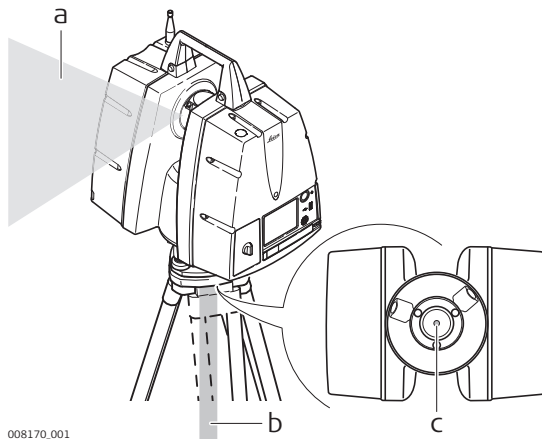
Laser products

The ScanStation P16 instrument contains the following laser products:

Laser product	Laser class
EDM (Electronic Distance Measurement) module	Class 1
Laser plummet	Class 1

The classification is in accordance with IEC 60825-1 (2014-05).

Locations of laser apertures



008170.001

- a) Laser beam
- b) Laser beam (Laser plummet)
- c) Exit for laser beam (Laser plummet)



The product must not be disposed with household waste.

Conformity to national regulations

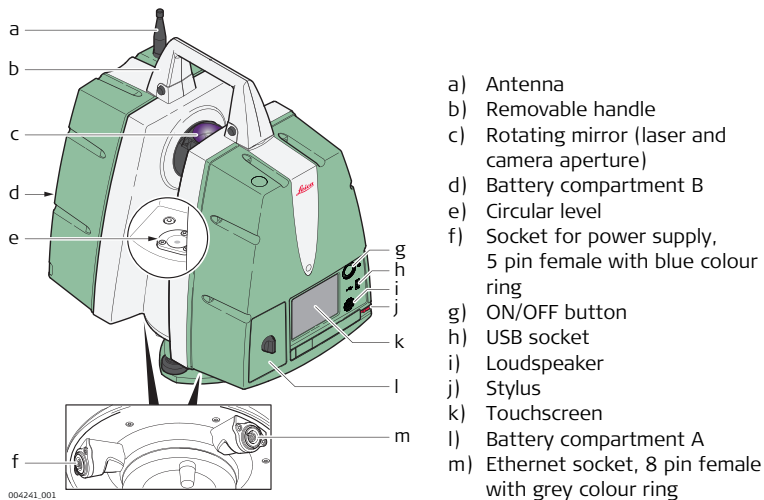
- FCC Part 15 (applicable in US)
- Hereby, Leica Geosystems AG, declares that the product ScanStation P16 is in compliance with the essential requirements and other relevant provisions of Directive 1999/5/EC. The declaration of conformity can be consulted at <http://www.leica-geosystems.com/ce>.



- Class 1 equipment according European Directive 1999/5/EC (R&TTE) can be placed on the market and be put into service without restrictions in any EEA member state.
- The conformity for countries with other national regulations not covered by the FCC part 15 or European directive 1999/5/EC has to be approved prior to use and operation.
 - Japanese Radio Law and Japanese Telecommunications Business Law Compliance.
 - This device is granted pursuant to the Japanese Radio Law and the Japanese Telecommunications Business Law.
 - This device should not be modified (otherwise the granted designation number will become invalid).
-

2 Instrument Components

Components of the ScanStation P16



3

Technical Data

Environmental specifications ScanStation P16

Temperature range:

Type	Operating temperature [°C]	Storage temperature [°C]
Instrument	-20 to +50	-40 to +70
AC-power supply	0 to +40	-25 to +65

Protection against water, dust and sand:

Type	Protection
Instrument	IP54 (IEC 60529) Dust protected Protection against splashing water from any direction

Humidity:

Type	Protection
Instrument	Max 95 % non condensing

4

Care and Transport

Care and transport

- Carry the product in its original container or carry the tripod with its legs splayed across your shoulder, to protect the product against shock and vibration.
 - Periodically carry out test measurements and perform the field adjustments indicated in the User Manual, particularly after the product has been dropped, stored for long periods or transported.
-

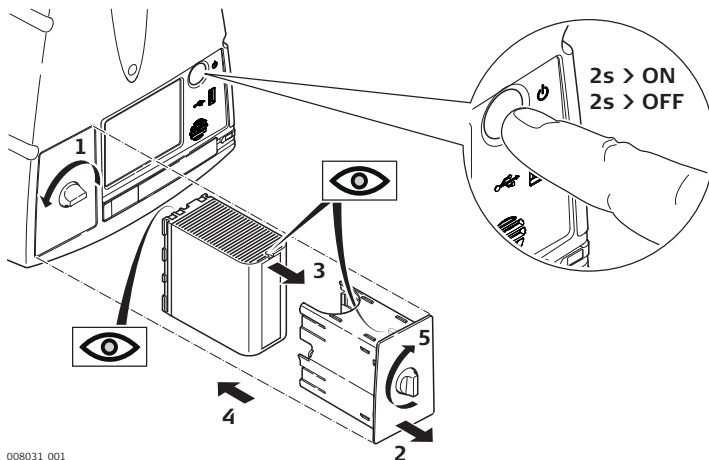
5

Operation



The battery must be charged before using it for the first time.

Turning on and off the instrument



6 EC Declaration of Conformity

EC Declaration of Conformity



This corresponds to EN ISO/IEC 17050-1.

We, **Leica Geosystems AG, CH-9435 Heerbrugg (Switzerland)**, declare under our sole responsibility that the product(s) **ScanStation P16**, following the provision of Directive(s)

- **2006/42/EC Machinery (MD)**
- **2004/108/EC Electromagnetic compatibility (EMC)**
- **1999/5/EC Radio and telecommunications terminal equipment (RTTE) (in accordance with annex II / III)**
- **2011/65/EU Restriction of hazardous substances (RoHS)**

to which this declaration relates, is in compliance with the following standards:

- **EN 55022:2010**
- **IEC 60825-1:2014**
- **EN 61000-6-1:2007**
- **EN 61000-6-3:2007 + A1:2011**
- **EN 300328 V1.8.1**
- **EN 301 489-1 V1.9.2:2011**
- **EN 301 489-17 V2.2.1:2012**

Leica Geosystems AG



For a signed version and translations into the official EU languages please refer to: <http://www.leica-geosystems.com/ce>



Leica Geosystems AG

Heinrich-Wild-Strasse
CH-9435 Heerbrugg
Switzerland

Phone +41 71 727 31 31

www.leica-geosystems.com

- when it has to be **right**

Leica
Geosystems

827809-1.0.0en

Original text
Printed in Switzerland

© 2015 Leica Geosystems AG, Heerbrugg, Switzerland